

Features

- Low power consumption
- Low voltage drop
- Low temperature coefficient
- High input voltage (up to 24V)
- High output current : 100mA
- Output voltage accuracy: tolerance $\pm 1\%$
- TO92, SOT89 and SOT23-5 packages

Applications

- Battery-powered equipment
- Communication equipment
- Audio/Video equipment

General Description

The HT75xx-2 series is a set of three-terminal low power high voltage implemented in CMOS technology. They can deliver 100mA output current and allow an input voltage as high as 24V. They are available with several fixed output voltages ranging from 2.1V to 12.0V.

CMOS technology ensures low voltage drop and low quiescent current.

Although designed primarily as fixed voltage regulators, these devices can be used with external components to obtain variable voltages and currents.

Selection Table

Part No.	Output Voltage	Package	Marking
HT7521-2	2.1V	TO92 SOT89 SOT23-5	75xx-2 (for TO92) 75xx-2 (for SOT89) 75xx-2# (for SOT89) 75xx-2+ (for SOT89) 5xx2 (for SOT23-5-A) 5xx2# (for SOT23-5-A) 5xx2+ (for SOT23-5-A)
HT7523-2	2.3V		
HT7525-2	2.5V		
HT7527-2	2.7V		
HT7530-2	3.0V		
HT7533-2	3.3V		
HT7536-2	3.6V		
HT7540-2	4.0V		
HT7544-2	4.4V		
HT7550-2	5.0V		
HT7560-2	6.0V		
HT7570-2	7.0V		
HT7580-2	8.0V		
HT7590-2	9.0V		
HT75A0-2	10.0V		
HT75C0-2	12.0V		
HT7541-2	4.15V	SOT23-5	541B (for SOT23-5-B) 541B+ (for SOT23-5-B)

Note: "xx" stands for output voltages.

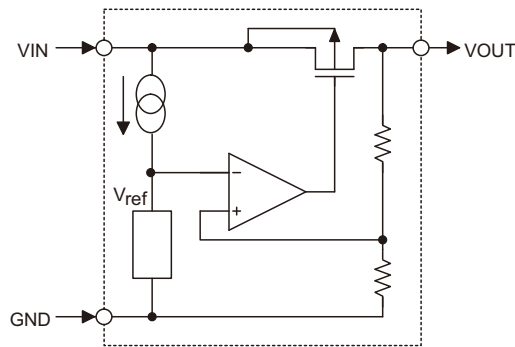
Both lead free and green compound devices are available. Note the symbol marks below:

"#" stands for lead free devices.

Blank and "+" stands for green compound devices, which are Lead-free and Halogen-free.

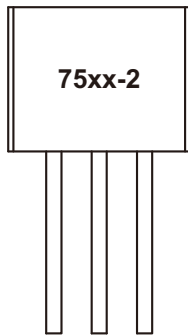
For the TO92 package, the symbol mark will be at the end of the date code. Whereas for the SOT89 and SOT23-5, the symbol mark will be located at the end of IC marking.

Block Diagram



Pin Assignment

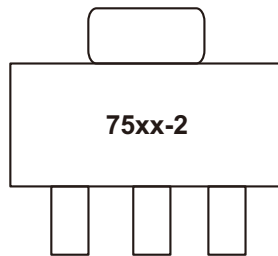
TO92



Front View

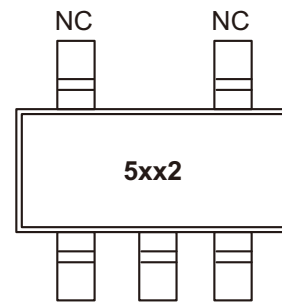
GND VIN VOUT

SOT89



GND VIN VOUT

SOT23-5



GND VIN VOUT

Absolute Maximum Ratings

Supply Voltage-0.3V to 26V Storage Temperature-50°C to 125°C
 Operating Temperature-40°C to 85°C

Note: These are stress ratings only. Stresses exceeding the range specified under "Absolute Maximum Ratings" may cause substantial damage to the device. Functional operation of this device at other conditions beyond those listed in the specification is not implied and prolonged exposure to extreme conditions may affect device reliability.

Thermal Information

Symbol	Parameter	Package	Max.	Unit
θ_{JA}	Thermal Resistance (Junction to Ambient) (Assume no ambient airflow, no heat sink)	SOT23-5	500	°C/W
		SOT89	200	°C/W
		TO92	200	°C/W
P_D	Power Dissipation	SOT23-5	0.20	W
		SOT89	0.50	W
		TO92	0.50	W

Note: P_D is measured at $T_a = 25^\circ\text{C}$

Pin Descriptions

Pin No.	Pin Name	Pin Description
1	GND	Ground pin
2	VIN	Input pin
3	VOUT	Output pin

Electrical Characteristics

$V_{IN} = V_{OUT} + 2V, C_{IN} = C_{O} = 10\mu F$

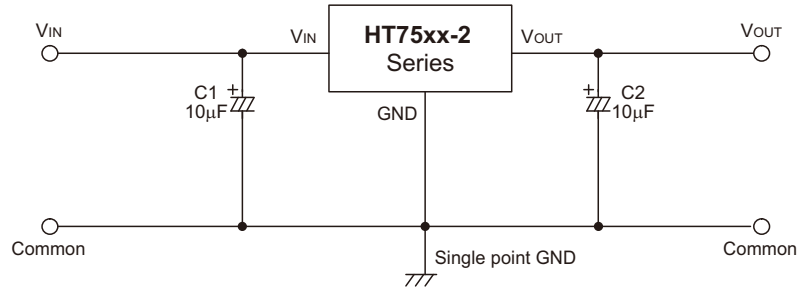
$T_a = 25^{\circ}C$

Symbol	Parameter	Test Conditions		Min.	Typ.	Max.	Unit
		Conditions					
V_{IN}	Input Voltage	—		—	—	24	V
V_{OUT}	Output Voltage Tolerance	$I_{OUT} = 10mA$		-1%		+1%	V
I_{OUT}	Output Current	$2.1V \leq V_{OUT} \leq 4.4V$		70	100	—	mA
		$V_{OUT} = 5.0V$		100	150	—	mA
		$6.0V \leq V_{OUT} \leq 12.0V$		150	—	—	mA
ΔV_{OUT}	Load Regulation	$2.1V \leq V_{OUT} \leq 3.6V$ $1mA \leq I_{OUT} \leq 50mA$		—	10	45	mV
		$4.0V \leq V_{OUT} \leq 4.4V$ $1mA \leq I_{OUT} \leq 50mA$		—	13	65	mV
		$5.0V \leq V_{OUT} \leq 12.0V$ $1mA \leq I_{OUT} \leq 70mA$		—	17	80	mV
V_{DIF}	Voltage Drop (Note)	$I_{OUT} = 10mA,$ $\Delta V_{OUT} = 2\%$	$2.1V \leq V_{OUT} \leq 2.4V$	—	0.46	0.95	V
			$2.5V \leq V_{OUT} \leq 2.7V$		0.32	0.68	V
			$3.0V \leq V_{OUT} \leq 3.3V$		0.23	0.41	V
			$V_{OUT} = 3.6V$		0.19	0.35	V
			$4.0V \leq V_{OUT} \leq 4.4V$		0.16	0.30	V
			$V_{OUT} = 5.0V$		0.12	0.25	V
			$6.0V \leq V_{OUT} \leq 12.0V$		0.11	0.23	V
I_{SS}	Quiescent Current	No load		—	2.5	5.0	μA
ΔV_{LINE}	Line Regulation	$V_{IN} = V_{OUT} + 1V \leq V_{IN} \leq 24V, I_{OUT} = 1mA$		—	0.1	0.2	%/V
$\frac{\Delta V_{DET}}{\Delta T_a}$	Temperature Coefficient	$I_{OUT} = 10mA$ $-40^{\circ}C < T_a < 85^{\circ}C$	$2.1V \leq V_{OUT} \leq 12.0V$	—	100	—	ppm/ $^{\circ}C$

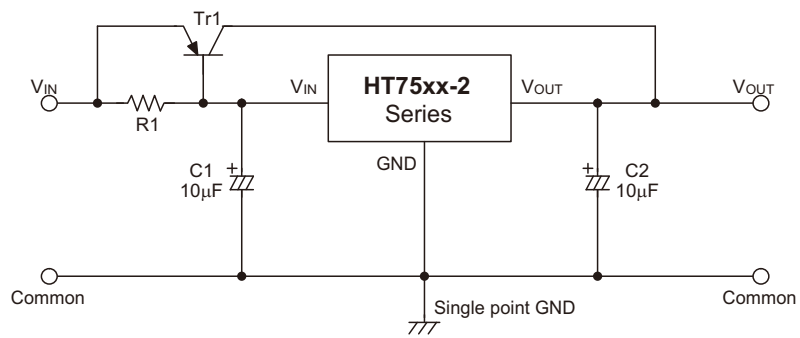
Note: Dropout voltage is defined as the input voltage minus the output voltage that produces a 2% change in the output voltage from the value at $V_{IN} = V_{OUT} + 2V$ with a fixed load.

Application Circuits

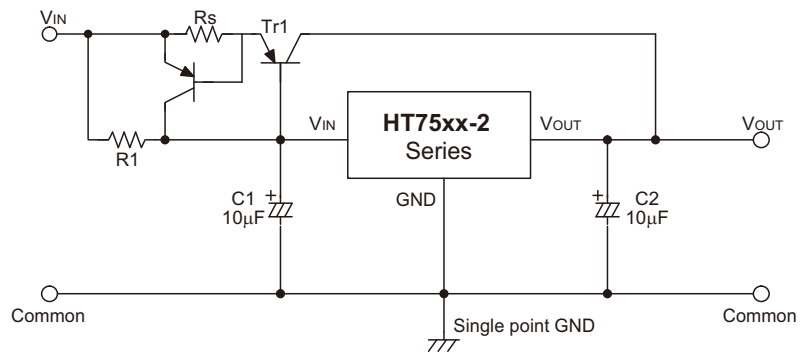
Basic Circuit



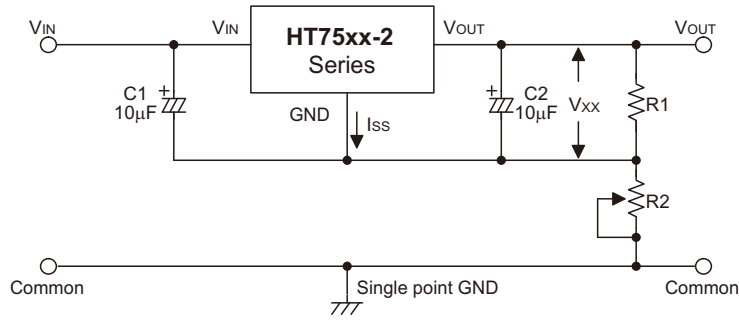
High Output Current Positive Voltage Regulator



Short-Circuit Protection for Tr1

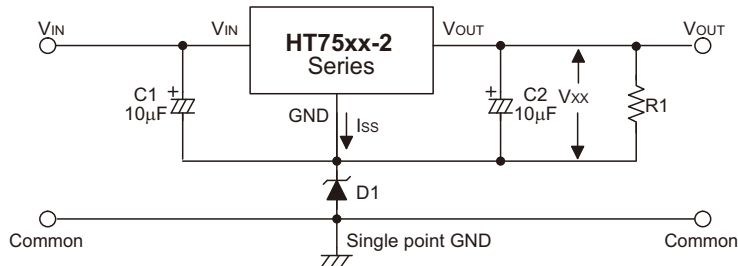


Circuit for Increasing Output Voltage



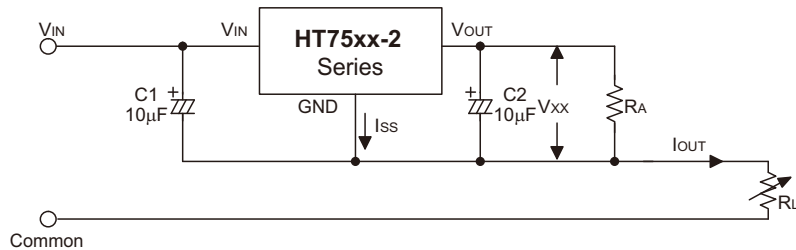
$$V_{OUT} = V_{XX} \left(1 + \frac{R2}{R1} \right) + I_{SS} R2$$

Circuit for Increasing Output Voltage



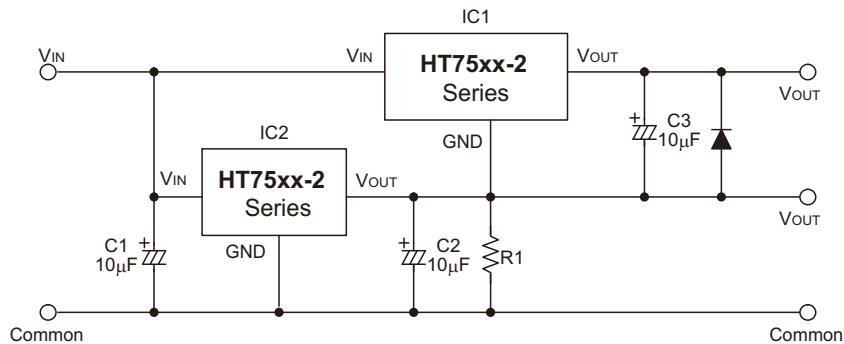
$$V_{OUT} = V_{XX} + V_{D1}$$

Constant Current Regulator



$$I_{OUT} = \frac{V_{XX}}{R_A} + I_{SS}$$

Dual Supply



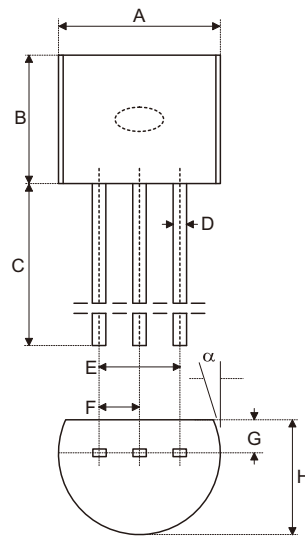
Package Information

Note that the package information provided here is for consultation purposes only. As this information may be updated at regular intervals users are reminded to consult the [Holtek website](#) for the latest version of the package information.

Additional supplementary information with regard to packaging is listed below. Click on the relevant section to be transferred to the relevant website page.

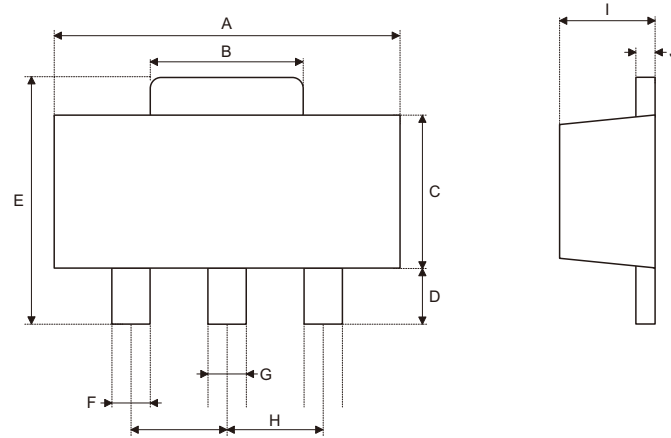
- [Further Package Information](#) (include Outline Dimensions, Product Tape and Reel Specifications)
- [Packing Materials Information](#)
- [Carton information](#)
- [PB FREE Products](#)
- [Green Packages Products](#)

3-pin TO92 Outline Dimensions



Symbol	Dimensions in inch		
	Min.	Nom.	Max.
A	0.170	—	0.200
B	0.170	—	0.200
C	0.500	—	—
D	0.011	—	0.020
E	0.090	—	0.110
F	0.045	—	0.055
G	0.045	—	0.065
H	0.130	—	0.160
α	0°	—	10°

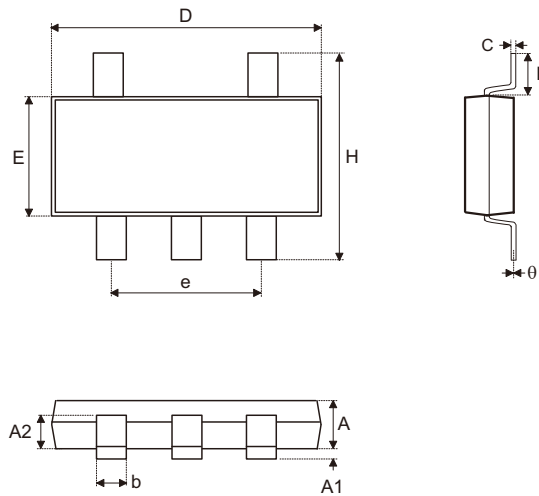
Symbol	Dimensions in mm		
	Min.	Nom.	Max.
A	4.32	—	5.08
B	4.32	—	5.08
C	12.70	—	—
D	0.28	—	0.51
E	2.29	—	2.79
F	1.14	—	1.40
G	1.14	—	1.65
H	3.30	—	4.06
α	0°	—	10°

3-pin SOT89 Outline Dimensions


Symbol	Dimensions in inch		
	Min.	Nom.	Max.
A	0.173	—	0.181
B	0.059	—	0.072
C	0.090	—	0.102
D	0.035	—	0.047
E	0.155	—	0.167
F	0.014	—	0.019
G	0.017	—	0.022
H	—	0.059	—
I	55	—	63
J	14	—	17

Symbol	Dimensions in mm		
	Min.	Nom.	Max.
A	4.39	—	4.60
B	1.50	—	1.83
C	2.29	—	2.59
D	0.89	—	1.19
E	3.94	—	4.24
F	0.36	—	0.48
G	0.43	—	0.56
H	—	1.50	—
I	1.40	—	1.60
J	0.36	—	0.43

5-pin SOT23-5 Outline Dimensions



Symbol	Dimensions in inch		
	Min.	Nom.	Max.
A	0.039	—	0.051
A1	—	—	0.004
A2	0.028	—	0.035
b	0.014	—	0.020
C	0.004	—	0.010
D	0.106	—	0.122
E	0.055	—	0.071
e	—	0.075	—
H	0.102	—	0.118
L	0.015	—	—
θ	0°	—	9°

Symbol	Dimensions in mm		
	Min.	Nom.	Max.
A	1.00	—	1.30
A1	—	—	0.10
A2	0.70	—	0.90
b	0.35	—	0.50
C	0.10	—	0.25
D	2.70	—	3.10
E	1.40	—	1.80
e	—	1.90	—
H	2.60	—	3.0
L	0.37	—	—
θ	0°	—	9°

Copyright © 2013 by HOLTEK SEMICONDUCTOR INC.

The information appearing in this Data Sheet is believed to be accurate at the time of publication. However, Holtek assumes no responsibility arising from the use of the specifications described. The applications mentioned herein are used solely for the purpose of illustration and Holtek makes no warranty or representation that such applications will be suitable without further modification, nor recommends the use of its products for application that may present a risk to human life due to malfunction or otherwise. Holtek's products are not authorized for use as critical components in life support devices or systems. Holtek reserves the right to alter its products without prior notification. For the most up-to-date information, please visit our web site at <http://www.holtek.com.tw>.